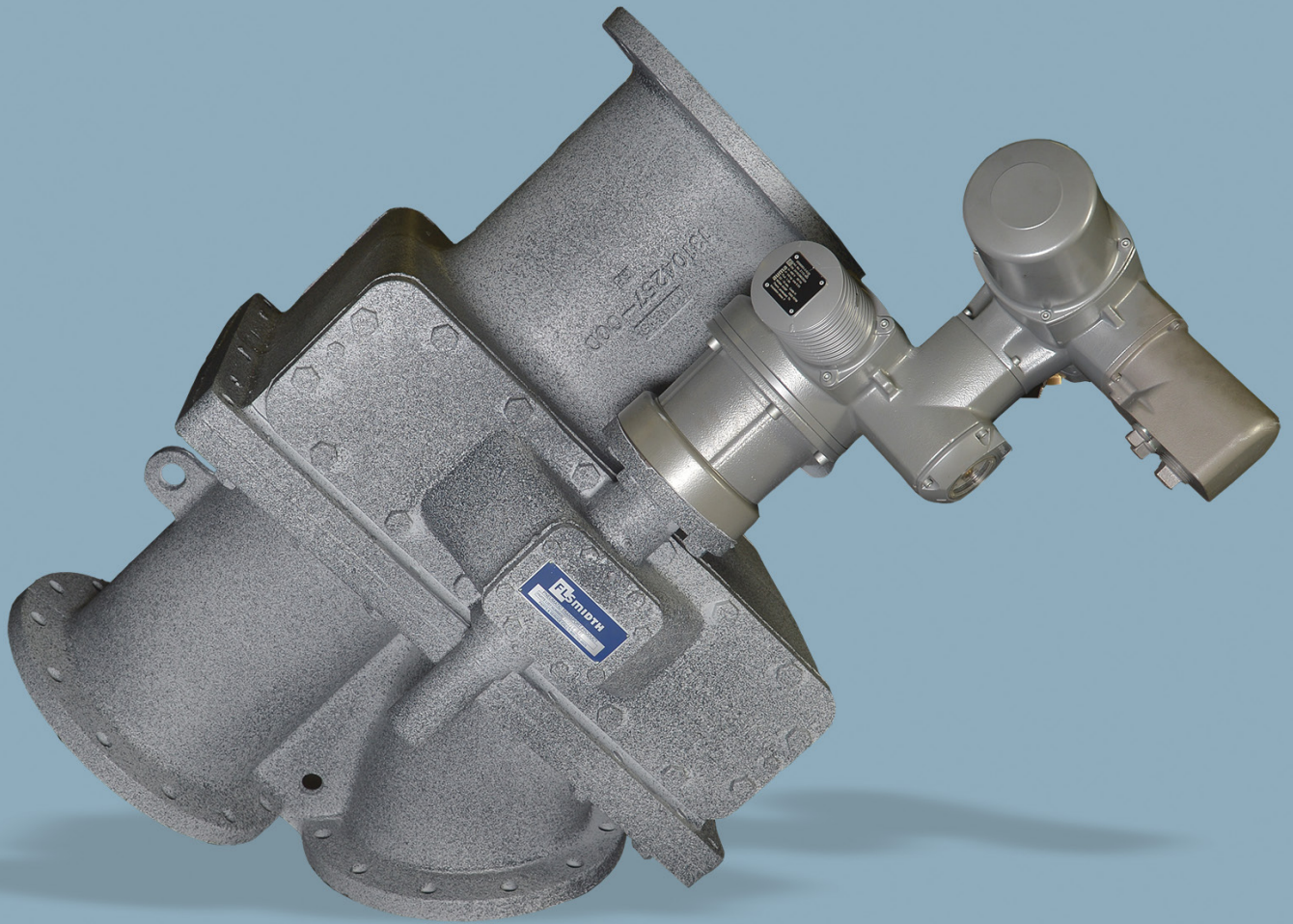


One Source

SK™ V2 Two-way Diverter Valve



SK™ V2 - diverter valve of the future

Higher efficiency, less maintenance

- **New leaner profile**
- **Streamlined parts**
- **Lower weight**
- **Standard and ATEX 20 designs**
- **Direct mount actuators: hand, air, motor**
- **One piece replaceable seat cartridge**
- **Service in place via oversized hinged access port**
- **Diverter/Converger duty**
- **Drop-in replacement for previous SK designs**
- **Interchangeable right/left hand**
- **Control and indication in actuator**

FLSmith's SK™ V2 two-way diverter/converger valve is the latest version of our traditional valve designed for positive switching of material flow in pressure or vacuum conveying systems. Engineered for 50 psig and 400°F maximum temperature, this rugged valve is well-suited for various abrasive materials such as cement, limestone, bentonite, fly ash, copper concentrate, barite and other pulverized or granular materials. The SK V2 valve is compatible in dilute-, two-phase or dense-phase applications. Three different actuators are available: Motor, air cylinder and manual lever

Specifications

General - The SK™ V2 two-way valve is available in five sizes: 6", 8", 10", 12" and 14", and matches the I.d. of standard schedule 30 pipe. Flanges are available in ANSI or DIN designs, 45° divert port is standard.

Housing - Durable cast iron construction, precision machined.

Internals - The internal mechanism working on the sliding disc and port principal. Replaceable and hardened one-piece seat cartridge with hardened disc are ground and lapped to maintain a positive seal at the closed port.

Access - Internal parts are readily accessible through a large hinged and bolted access port.

Versatility - The SK V2 valve is available for right or left hand operation. Actuators are easily

changed to the opposite hand without the need for customized parts.

Actuators - Precision electric motor, air cylinder or hand lever actuators with integral limit switches for dependable positioning of the disc with seats.

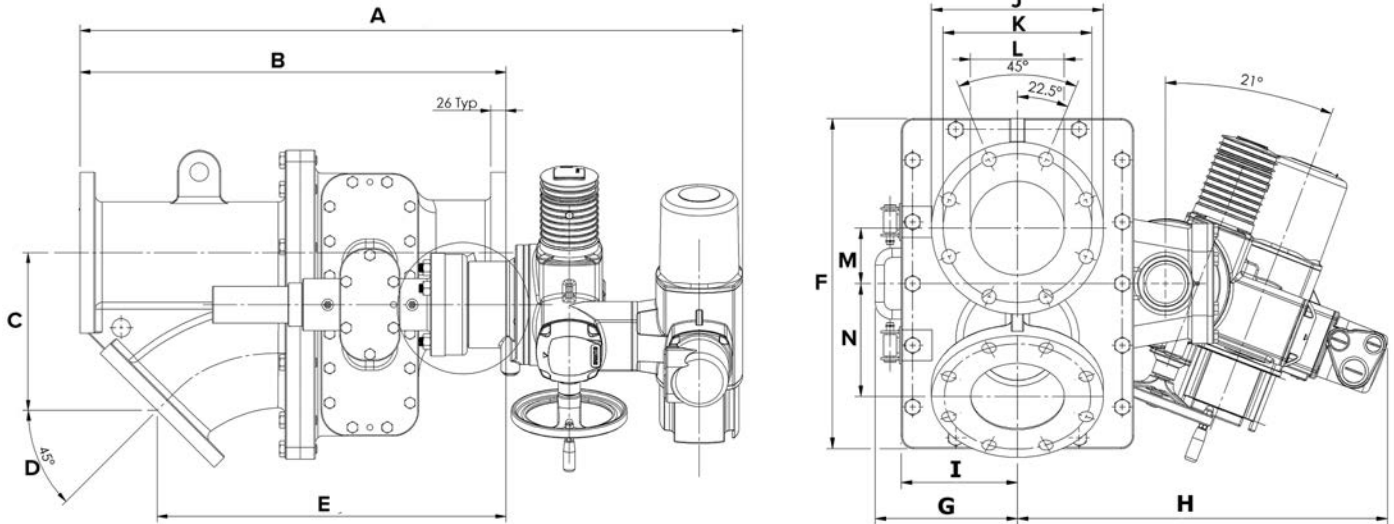
Special applications - ATEX 20 design for pulverized fuel handling. Various voltages available.

Superior value

- Designed for precise operation, the SK V2 valve provides improved alignment of the disk and a longer operating life.
- The large access port presents easy access for maintenance, and uses a hinged panel for improved safety.
- The SK V2 valve has the versatility to be re-purposed from right-hand to left-hand on site, saving valuable maintenance hours.
- The valve uses traditional actuators for easy connections to controls and wiring.
- Minimal adjustments are required, reducing installation hours and saving you money.
- No linkages or guards are needed for this valve, resulting in safer operation and less risk for maintenance staff.

SK™ V2 two-way diverter valve

DIMENSIONS



Electric motor actuated

	Size	Weight	A	B	C	D	E	F	G	H	I	J	K	L	M	N
Metric	150mm	256 kg	1146	736.5	273	45°	603	53	231	600	188	279	241	152	90	183
Inches	6"	564 lbs	45.1	29	10.7	45°	23.7	2.1	9.1	23.6	7.4	11	9.5	6	3.5	7.2
Metric	200mm	361	1255	914	348	45°	781	688	266	632	224	343	299	203	118	231
Inches	8"	795 lbs	49.4	36	13.7	45°	30.7	27.1	10.5	24.9	8.8	15.5	11.8	8	4.6	9.1
Metric	250mm	535	1328	1016	432	45°	835	760	312	668	267	406	362	255	143	289
Inches	10"	1179.5 lbs	52.3	40	17	45°	32.9	29.9	12.3	26.3	10.5	16	14.3	10	5.6	11.4
Metric	300mm	782	1388	1170	470	45°	995	930	350	703	295	485	432	310	175	295
Inches	12"	1724 lbs	54.6	46.1	18.5	45°	39.2	36.6	13.4	26.7	11.6	19.1	17	12.2	6.9	11.6
Metric	350mm	817	n/a	1549	554	45°	1321	998	372	734	321.5	533	476	336.5	187.5	366.5
Inches	14"	1801 lbs	n/a	61	21.8	45°	52	39.3	14.6	28.9	12.7	21	18.7	13.2	7.4	14.4



Air cylinder actuated

	Size	Weight	A	B	C	D	E	F	G	H	I	J	K	L	M	N
Metric	150mm	244.2 kg	1011	736.5	273	45°	603	535	231	418	188	279	241	152	90	183
Inches	6"	538 lbs	39.8	29	10.7	45°	23.7	2.1	9.1	16.5	7.4	11	9.5	6	3.5	7.2
Metric	200mm	348	1120	914	348	45°	781	688	266	456	224	343	299	203	118	231
Inches	8"	767 lbs	44.1	36	13.7	45°	30.7	27.1	10.5	18	8.8	13.5	11.8	8	4.6	9.1
Metric	250mm	517.3	1222	1016	432	45°	835	760	312	513	267	406	362	255	143	289
Inches	10"	1140.4 lbs	48.1	40	17	45°	32.9	29.9	12.3	20.2	10.5	16	14.3	10	5.6	11.4
Metric	300mm	726	1267	1170	470	45°	995	930	350	583	295	485	432	310	175	295
Inches	12"	1601 lbs	49.9	46.1	18.5	45°	39.2	36.6	13.8	23	11.6	19.1	17	12.2	6.9	11.6
Metric	350mm	821.2	n/a	1549	554	45°	1321	998	372	619	321.5	533	476	336.5	187.5	366.5
Inches	14"	1810.4 lbs	n/a	61	21.8	45°	52	39.3	14.6	24.4	12.7	21	18.4	13.2	7.4	14.4



Hand lever (manual) actuated

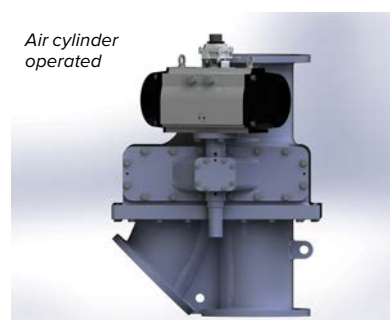
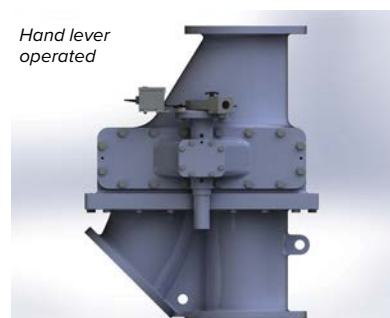
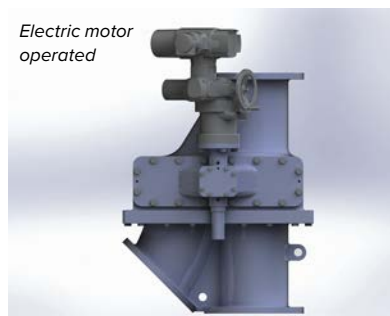
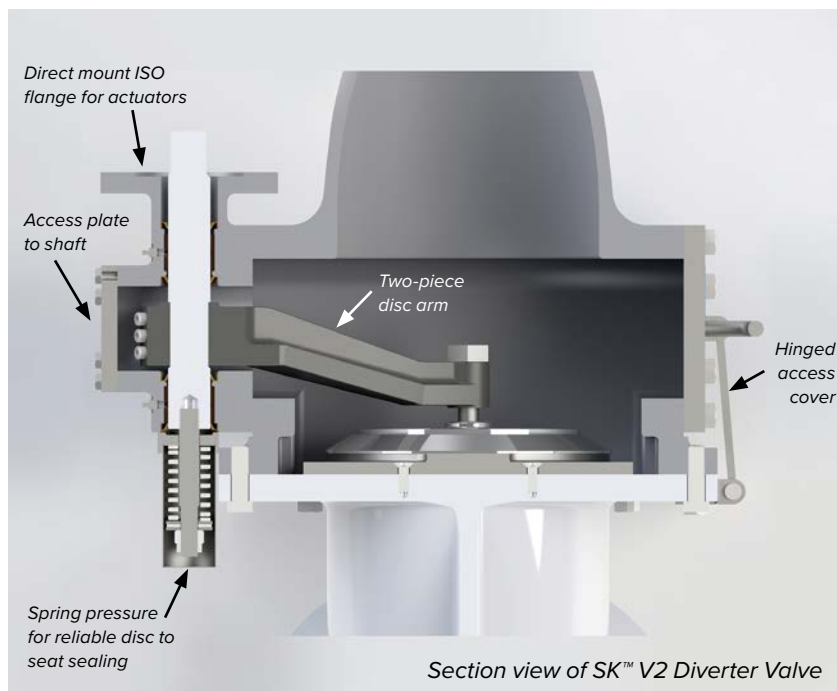
	Size	Weight	A	B	C	D	E	F	G	H	I	J	K	L	M	N
Metric	150mm	216 kg	n/a	736.5	273	45°	603	535	231	441	188	279	241	152	90	183
Inches	6"	476 lbs	n/a	29	10.7	45°	23.7	2.1	9.1	17.4	7.4	11	9.5	6	3.5	7.2
Metric	200mm	320.7	n/a	914	348	45°	781	688	246	477	224	343	299	203	118	231
Inches	8"	707 lbs	n/a	36	13.7	45°	30.7	27.1	9.7	18.8	8.8	13.5	11.8	8	4.6	9.1
Metric	250mm	482.3	n/a	1016	432	45°	835	760	312	512	267	406	362	255	143	289
Inches	10"	1063.2 lbs	n/a	40	17	45°	32.9	29.9	12.3	20.2	10.6	16	14.3	10	5.6	11.4
Metric	300mm	677	n/a	1170	470	45°	995	930	350	526	295	485	432	310	175	295
Inches	12"	1493 lbs	n/a	46	18.5	45°	39.2	36.2	13.8	20.7	11.6	19.1	17	12.2	6.9	11.6
Metric	350mm	777	n/a	1549	554	45°	1321	998	372	578	321.5	533	476	336.5	187.5	366.5
Inches	14"	1713 lbs	n/a	61	21.8	45°	52	39.3	14.6	22.8	12.7	21	18.7	13.2	7.4	14.4



SK™ V2 two-way diverter valve

www.flsmidth.com

C 00-00 000-0-XXX



All basic SK V2 diverter valves include:

- Cast and flanged actuator port, bolted for easy change-over to opposite side
- Bolted and hinged access cover
- Dual shaft seals per side with grease lubrication fittings
- Dual bushing type bearings
- One-piece hardened seat plate, 575 BHN with O-ring seals
- Cast hardened disc, 550 BHN
- 45° divert port
- Assembled for choice of direct mounted actuators: electric, air cylinder or hand lever

Project Center Denmark

FLSmidth A/S
Vigerslev Allé 77
DK-2500 Valby
Copenhagen
Tel: +45 3618 1000
Fax: +45 3630 1820
E-mail: info@flsmidth.com

Project Center USA

FLSmidth Inc.
2040 Avenue C
Bethlehem, PA 18017-2188
Tel: +1 610-264-6011
Fax: +1 610-264-6170
E-mail: info-us@flsmidth.com

Project Center India

FLSmidth Private Limited
FLSmidth House
34, Egatoor, Kelambakkam
(Rajiv Gandhi Salai, Chennai)
Tamil Nadu – 603 103
Tel: +91-44-4748 1000
Fax: +91-44-2747 0301
E-mail: indiainfo@flsmidth.com